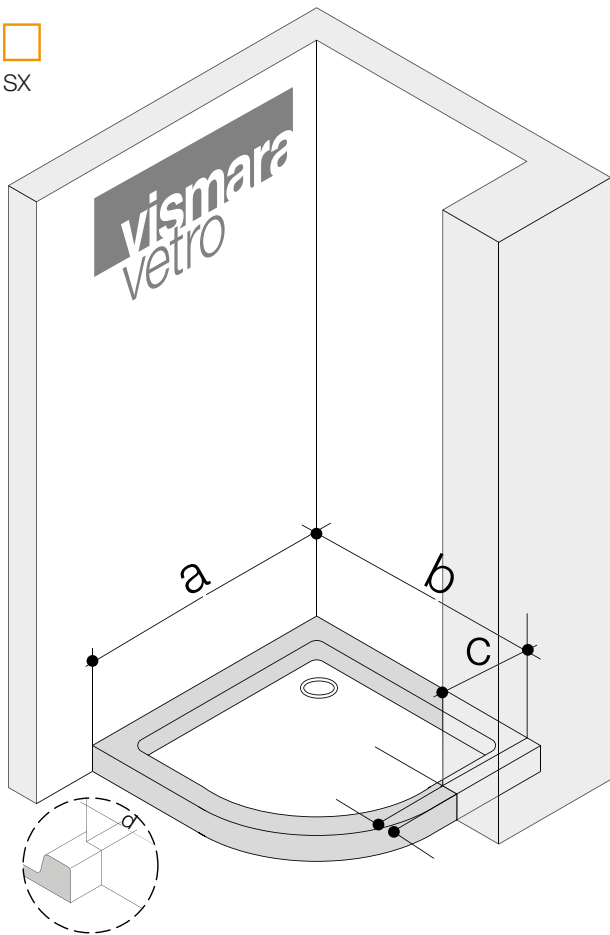


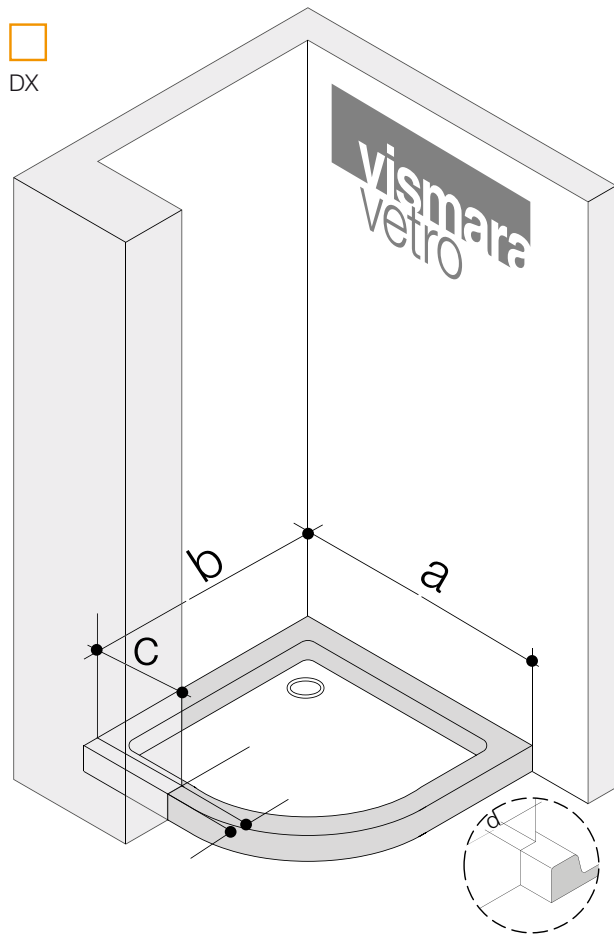
16 Layout for measures

date _____
 customer _____
 address _____
 phone _____
 ref. _____

SX



DX



model _____
 glass _____
 profiles _____

door SX left DX right

a=mm. _____
 b=mm. _____
 c=mm. _____
 d=mm. _____

NOTES _____