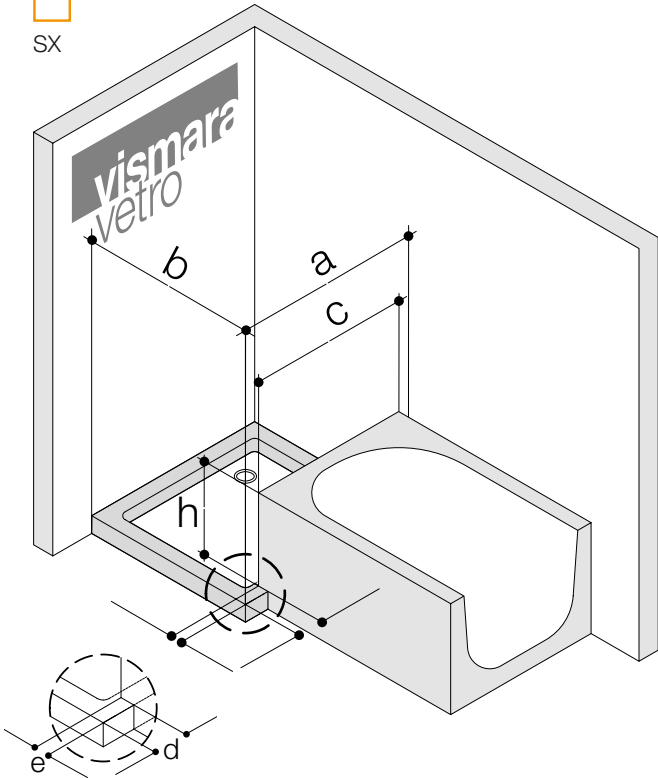


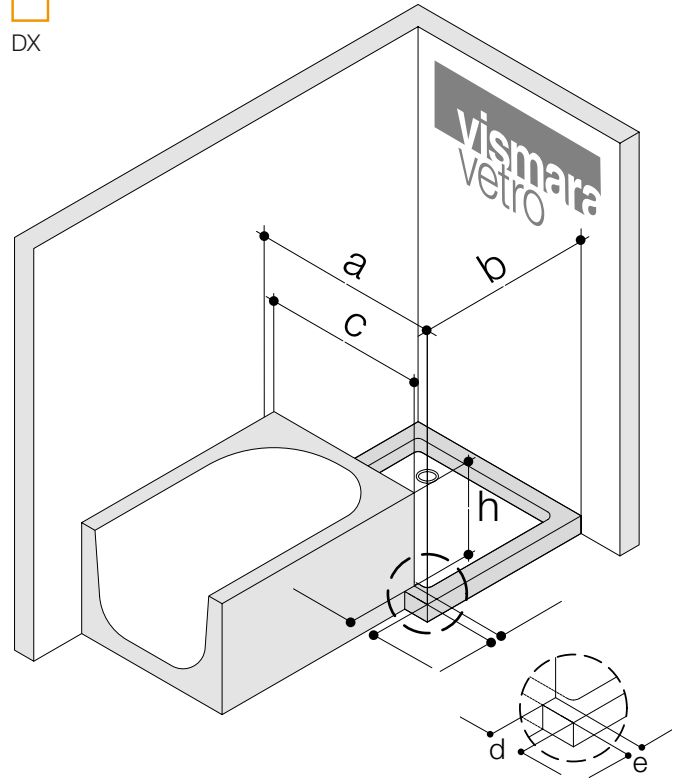
12 Layout for measures

date _____
 customer _____
 address _____
 phone _____
 ref. _____

SX



DX



model _____
 glass _____
 profiles _____
 door SX left DX right
 a=mm. _____
 b=mm. _____
 c=mm. _____
 d=mm. _____
 e=mm. _____
 h=mm. _____

The feasibility and the choice of the programme depends on real measured size: it is recommended to request a quotation.

NOTES
