

10 Layout for measures

date

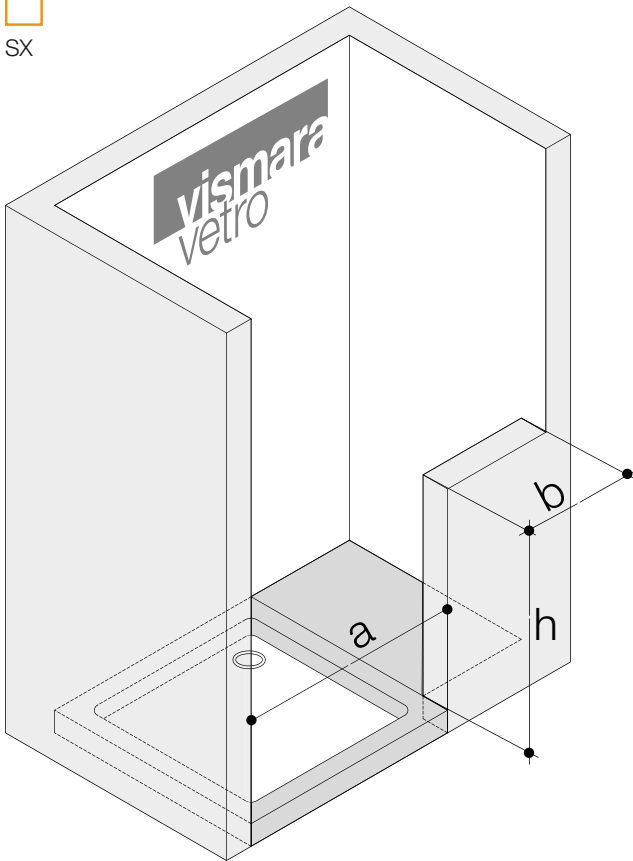
customer

address

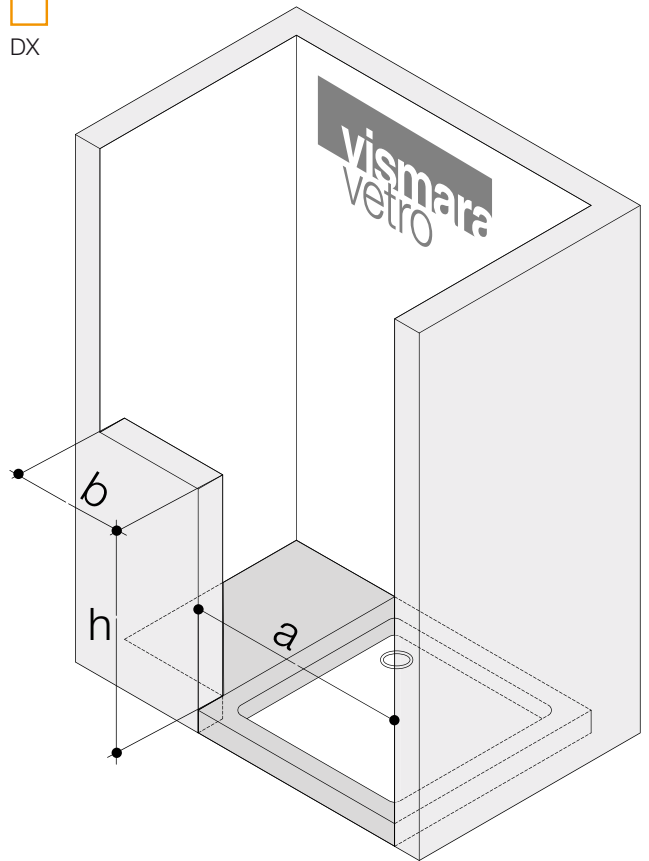
phone

ref.

SX



DX



model

glass

profiles

door SX left DX right

a=mm.

b=mm.

h=mm.

NOTES