

9 Layout for measures

date

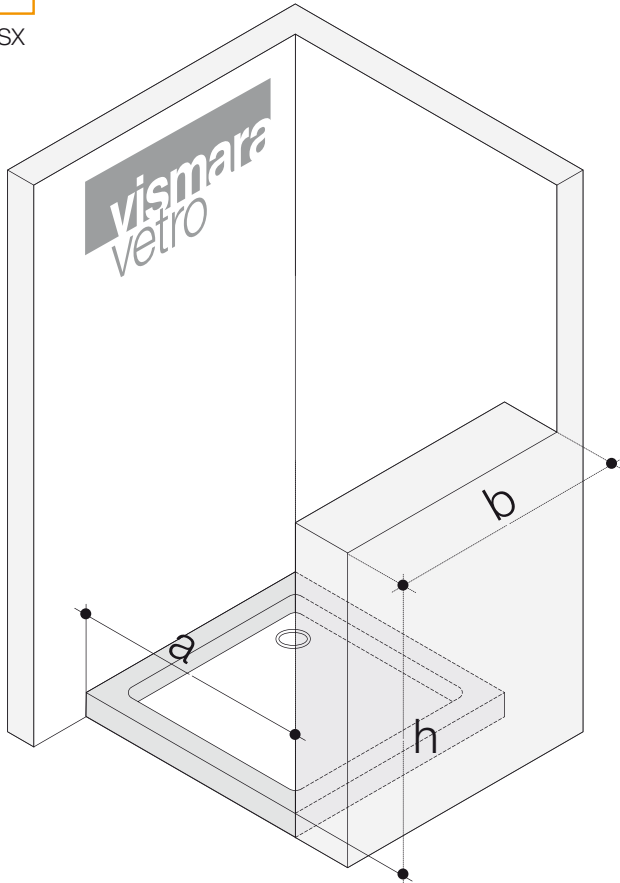
customer

address

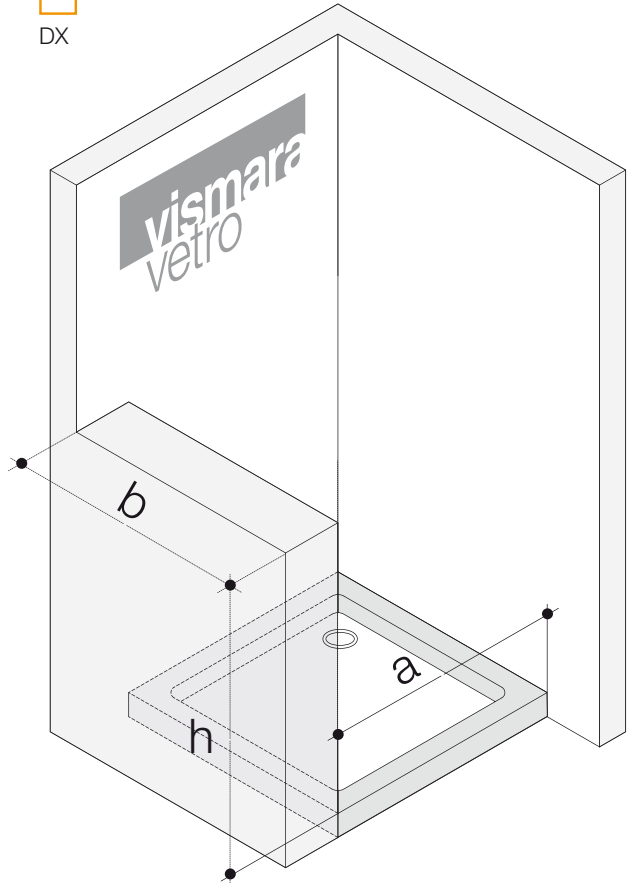
phone

ref.

SX



DX



model

glass

profiles

door SX left DX right

a=mm.

b=mm.

h=mm.

Gliss: DN+DP - D3+DP - D4+DP

Linea: LN+LP - LB+LP - L2+LP - L3+LP

Replay: RN+RV - RM+RV

Sintesi: SN+SP - SM+SP

Tiquadro: QN+QP - QM+QP

Junior: GA+GP - GN+GP - G2+GP - GM+GP

Serie 8000: CN+CP - C3+CP - C4+CP

Serie 6000: on request

NOTES