

4 Layout for measures

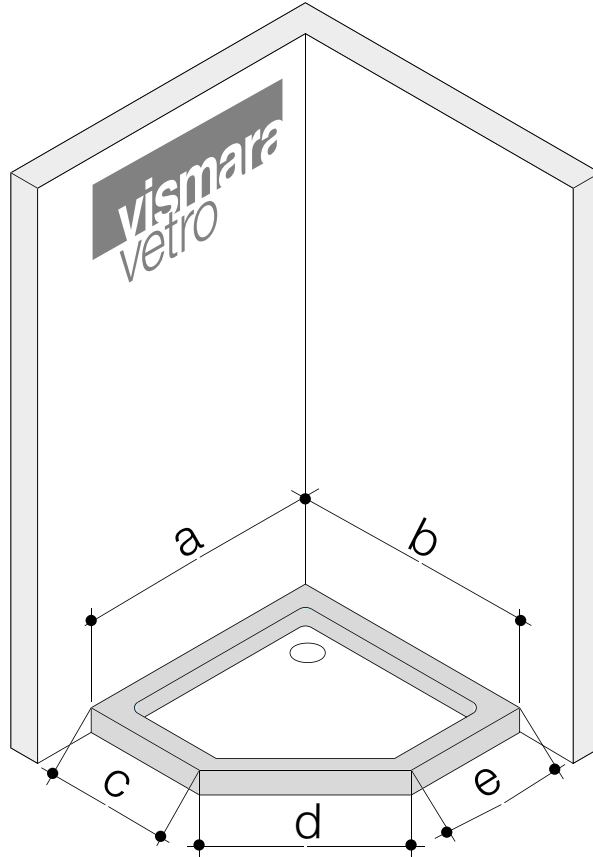
date _____

customer _____

address _____

phone _____

ref. _____



model _____

glass _____

profiles _____

door SX left DX right

a = mm. _____

b = mm. _____

c = mm. _____

d = mm. _____

e = mm. _____

Sintesi: TRS

NOTES
