

data \_\_\_\_\_  
 cliente \_\_\_\_\_  
 città \_\_\_\_\_  
 tel. \_\_\_\_\_  
 riferimento \_\_\_\_\_

\_\_\_\_\_

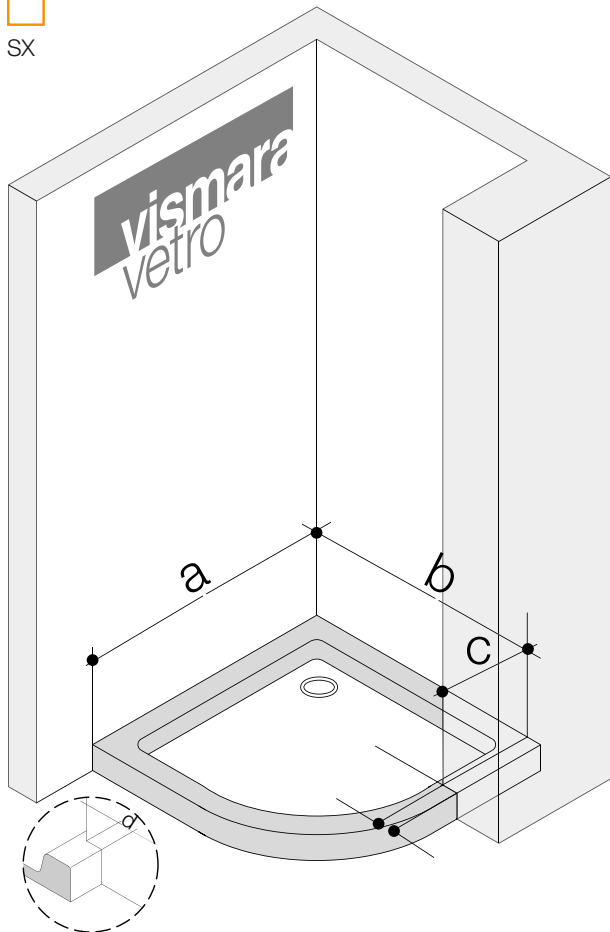
\_\_\_\_\_

\_\_\_\_\_

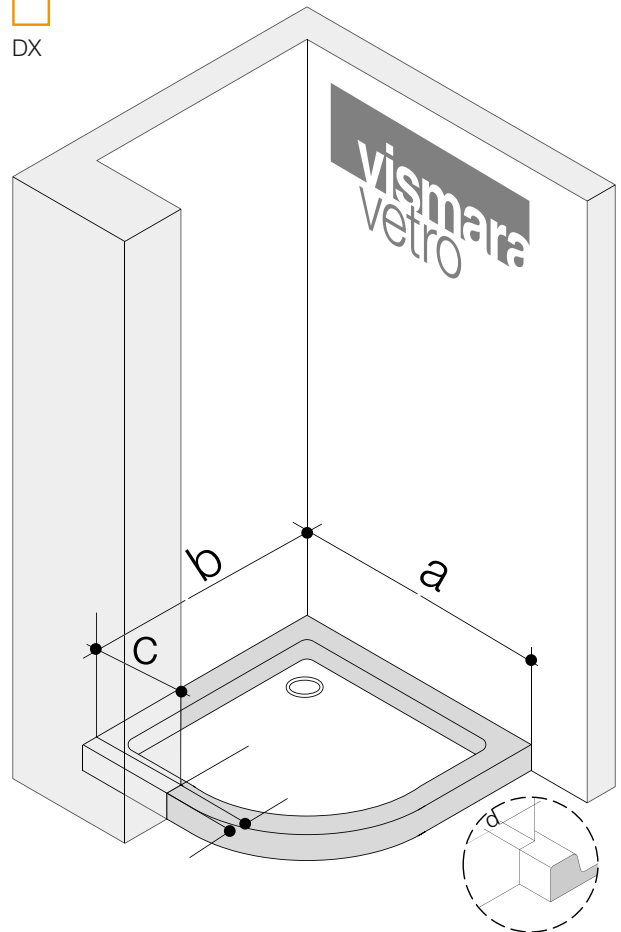
\_\_\_\_\_

\_\_\_\_\_

SX



DX



modello \_\_\_\_\_  
 vetro \_\_\_\_\_  
 profili \_\_\_\_\_

porta SX  DX

a = mm. \_\_\_\_\_

b = mm. \_\_\_\_\_

c = mm. \_\_\_\_\_

d = mm. \_\_\_\_\_

NOTE

\_\_\_\_\_

\_\_\_\_\_

\_\_\_\_\_

\_\_\_\_\_

\_\_\_\_\_